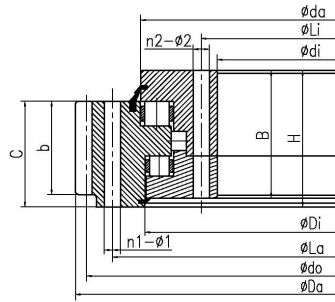


Three-row Crossed Roller Slewing Bearing With External Teeth



Lager Nr.	INA-Nr.	LYC-Nr.	Abmessungen (mm)				Einbaugröße (mm)						Strukturgröße (mm)						Zahnparameter (mm)					Axiale statische Gewicht Nennlast (kg) (kN)	
			Da	D	di	H	La	Li	n1	n2	$\phi 1$	$\phi 2$	D1	d	b	h	B	C	Di	Da	m	z	tun	x	
HOU25/500y1	YA 25 0500N		738	336	148	630	396	16	16	$\phi 33$	$\phi 33$			102	36	134	112	522	544	10	72	720		446	260
HOU25/500		131.25.500.**	665	366	148	598	402	24	24	18	18	634	80	32	138	116	526	537	5	130	650	0.5	2750	224	
HOU25/500Y		132.25.500.**	666	366	148	598	402	24	24	18	18	634	80	32	138	116	463	474	6	108	648	0.5	2750	224	
HOU25/560		131.25.560.**	725	426	148	658	462	24	24	18	18	694	80	32	138	116	586	597	5	142	710	0.5	3080	240	
HOU25/560Y		132.25.560.**	726	426	148	658	462	24	24	18	18	694	80	32	138	116	523	534	6	118	708	0.5	3080	240	
HOU25/630Y		132.25.630.**	808	496	148	728	532	28	28	18	18	764	60	32	138	116	593	604	8	98	784	0.5	3450	270	
HOU25/630		131.25.630.**	810	496	148	728	532	28	28	18	18	764	80	32	138	116	656	667	6	132	792	0.5	3450	270	
HOU25/710Y		132.25.710.**	888	576	148	808	612	28	28	18	18	844	80	32	138	116	673	684	8	108	864	0.5	3880	300	
HOU25/710		131.25.710.**	888	576	148	808	612	28	28	18	18	844	80	32	138	116	736	747	6	145	870	0.5	3880	300	
HOU30/800		131.32.800.**	1008	636	182	920	680	36	36	22	22	964	120	40	172	142	830	841	8	123	984	0.5	5490	500	
HOU30/800Y		132.32.800.**	1010	636	182	920	680	36	36	22	22	964	120	40	172	142	759	770	10	98	980	0.5	5490	500	
HOU20/815	YA 20 0815N		1014.1	676	120	925	725	28	28	$\phi 26$	$\phi 26$		80	30	106	90	838	849	8	125	1000		761	290	
HOU30/900		131.32.900.**	1104	736	182	1020	780	36	36	22	22	1064	120	40	172	142	930	941	8	135	1080	0.5	6190	600	
HOU30/900Y		132.32.900.**	1110	736	182	1020	780	36	36	22	22	1064	120	40	172	142	859	870	10	108	1080	0.5	6190	600	
HOU30/1000		131.32.1000.**	1220	836	182	1120	880	40	40	22	22	1164	120	40	172	142	1030	1041	10	119	1190	0.5	6890	680	
HOU30/1000Y		132.32.1000.**	1224	836	182	1120	880	40	40	22	22	1164	120	40	172	142	959	970	12	99	1188	0.5	6890	680	
HOU25/1030			1281.6	851	147	1158	917	48	48	$\phi 33$	$\phi 33$	1224	120	9	138	127	1056	1069	12	104	1248	0.5	7600	571.3	
HOU30/1120		131.32.1120.**	1340	956	182	1240	1000	40	40	22	22	1284	120	40	172	142	1150	1161	10	131	1310	0.5	7680	820	
HOU30/1120Y		132.32.1120.**	1344	956	182	1240	1000	40	40	22	22	1284	120	40	172	142	1079	1090	12	109	1308	0.5	7680	820	
HOU40/1250Y		132.40.1250.**	1512	1055	220	1393	1107	45	45	26	26	1445	150	50	210	170	1200	1210	14	105	1470	0.5	11100	1200	
HOU40/1250		131.40.1250.**	1512	1055	220	1393	1107	45	45	26	26	1445	150	50	210	170	1290	1300	12	123	1476	0.5	11100	1200	
HOU20/1250			1461.6	1103	132	1355	1155	36	36	26	26		106	26	123	106	1282	1280	12	119	1428	0.5	7350	542	
HOU20/1270	YA 20 1270N		1470.1	1132	120	1380	1180	44	44	26	26		80	30	106	90	1293	1304	8	182	1456		1206	450	
HOU40/1400Y		132.40.1400.**	1666	1205	220	1543	1257	45	45	26	26	1595	150	50	210	170	1350	1360	14	116	1624	0.5	12400	1300	
HOU40/1400		131.40.1400.**	1668	1205	220	1543	1257	45	45	26	26	1595	150	50	210	170	1440	1450	12	136	1632	0.5	12400	1300	
HOU25/1390	YA 25 1390N		1637.8	1226	148	1520	1286	32	32	33	33		102	36	134	112	1412	1434	10	162	1620		1316	745	
HOU20/1400			1635.2	1253	132	1505	1305	36	36	26	26		106	26	123	106	1432	1430	14	114	1596	0.5	8200	646	
HOU20/1490	YA 20 1490N		1701.6	1352	120	1600	1400	50	50	26	26		80	30	106	90	1513	1524	12	140	1680		1421	530	
HOU40/1600Y		132.40.1600.**	1872	1405	220	1743	1457	48	48	26	26	1795	150	50	210	170	1550	1560	16	114	1824	0.5	14200	1520	
HOU40/1600		131.40.1600.**	1876	1405	220	1743	1457	48	48	26	26	1795	150	50	210	170	1640	1650	14	131	1834	0.5	14200	1520	